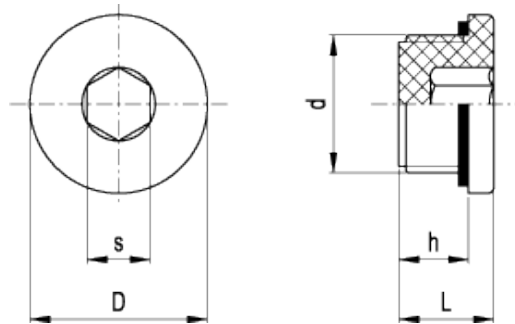


TCE.

Plugs
with hexagon socket



ELESA Original design



technical informations

Material

Glass-fibre reinforced polyamide based (PA) technopolymer. Resistant to solvents, oils, greases and other chemical agents.

Colour

Black, matte finish.

Flat packing ring

NBR synthetic rubber.

Maximum continuous working temperature

100°C.

Technical data

An adequate tightening torque (see table below) is recommended when screwing the plug, so as to guarantee optimal tightness without any deformation of the packing ring. Suggested tightening torque is the result of laboratory tests carried out at ambient temperature (23°C) with plug, packing ring and reservoir walls perfectly cleaned.

Standard Elements		Main dimensions					Tightening torque	Weight
Code	Description	d	h	s	L	D	[Nm]	g
161033	TCE.1/4	G 1/4	9	6	12	20	3	4
161034	TCE.3/8	G 3/8	9	8	13	22	3÷5	5
161035	TCE.1/2	G 1/2	11	10	15	28	3÷4	8
161036	TCE.3/4	G 3/4	12	12	16.5	32	3÷5	14



ELESA and GANTER models all rights reserved in accordance with the law. Always mention the source when reproducing our drawings.

STANDARD MACHINE ELEMENTS WORLDWIDE